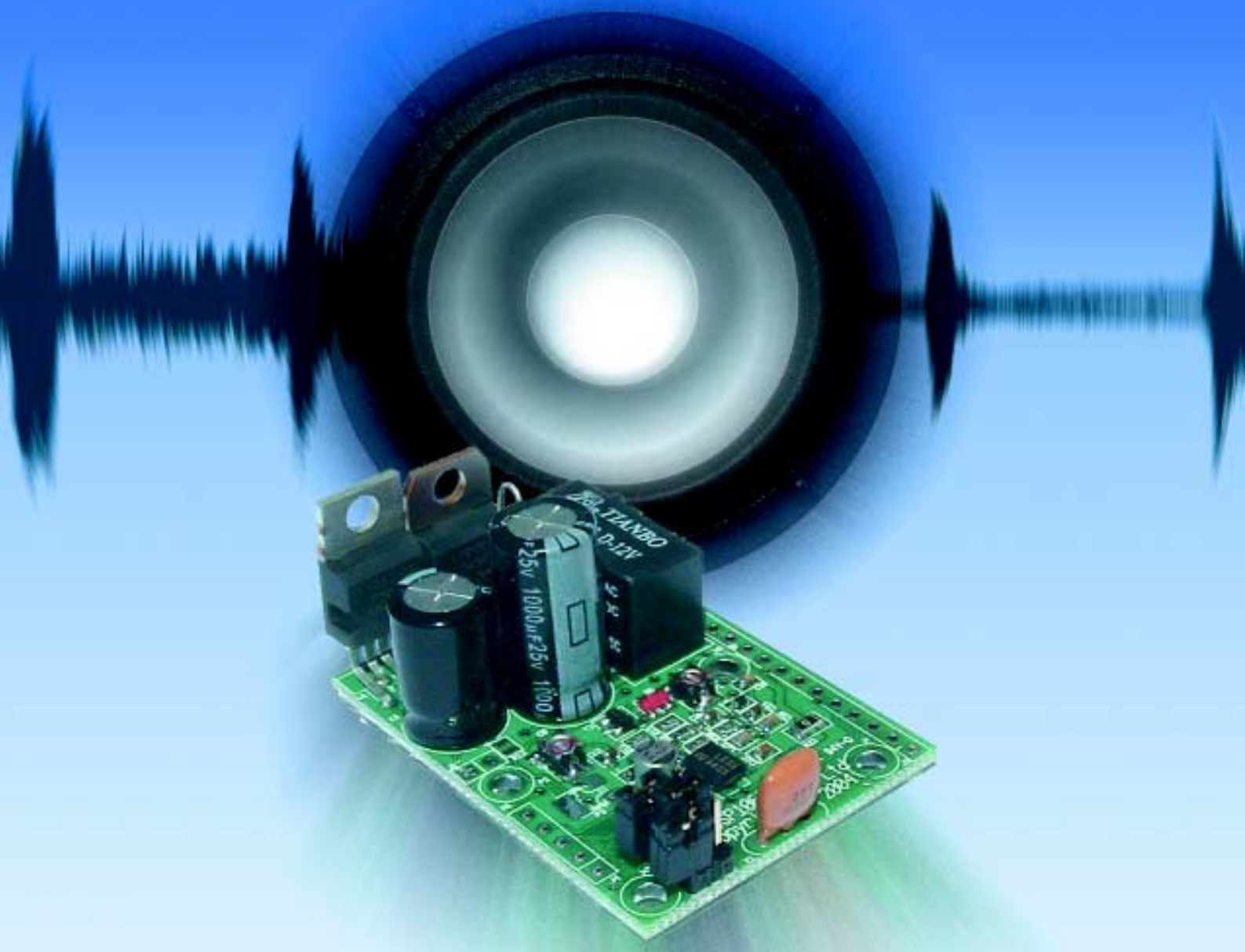


bhi

# DSP Noise Cancellation for your Loudspeaker



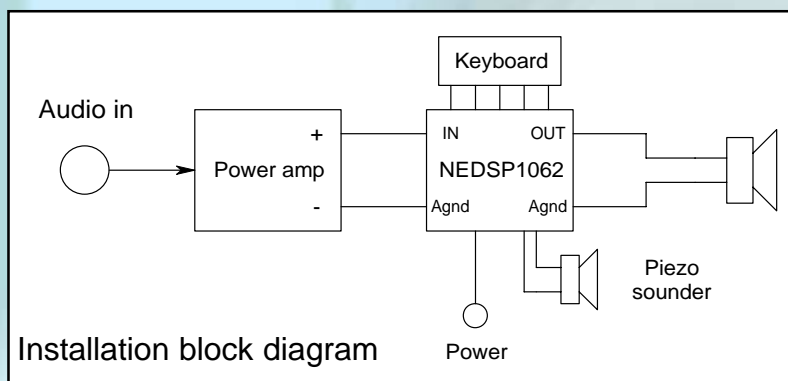
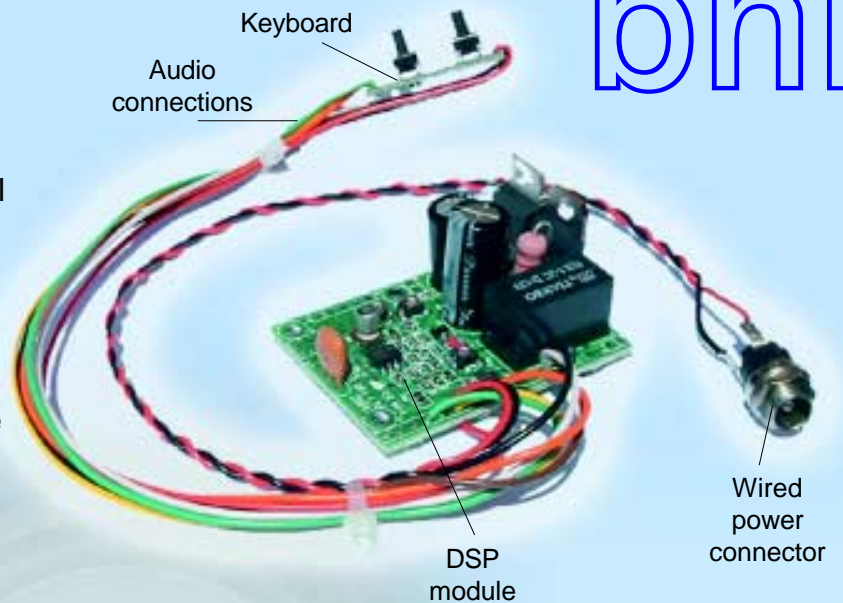
**Give your speaker a boost with this easy to fit DSP module kit**

bhi Ltd, PO Box 136, Bexhill on Sea, East Sussex, England,  
Tel: +44 (0)870 240 7258 fax: +44 (0)870 240 2407259

## Description:

The **NEDSP1062-KBD amplified DSP module** provides a simple solution to adding DSP noise cancellation in a wide range of applications. It incorporates Digital Signal Processing (DSP) technology to provide up to 35dB of noise cancellation and 65dB of tone reduction. The module features an on board power amplifier to allow it to be easily incorporated into existing equipment by installing the module in line with the loudspeaker.

The module is supplied prewired with a standard 2.1mm power connector. The keyboard is also prewired



## Installation:

The module simply goes in line with the loudspeaker.

## Features:

- 4 or 8 levels of noise cancellation (selectable)
- Audio bypass when switched off
- Simple keyboard operation
- Virtually no distortion to the speech
- Input and output level controls
- 3 Watts output (4Ω)
- Frequency response 50Hz - 4.3KHz
- Visual and audible indication of DSP level
- Small size 37 x 50mm (DSP module)
- 12 - 18V DC voltage supply range
- Easy to install
- Supplied with complete fitting kit, labels, fused DC power lead and full fitting instructions.

## Ordering Information:

**Order code NEDSP1062-KBD.**

Also available is a basic PCB version without a keyboard, this module is ideally suited for designing into new applications. Call us for more information or visit our website.

**bhi Ltd, PO Box 136, Bexhill on Sea  
East Sussex, TN39 3WD England.**

**Tel: +44 (0)870 2407258 Fax: +44 (0)870 2407259**

**email: sales@bhi-ltd.co.uk web: www.bhi-ltd.co.uk**



Typical DSP installation

