

# Help Sheet 1

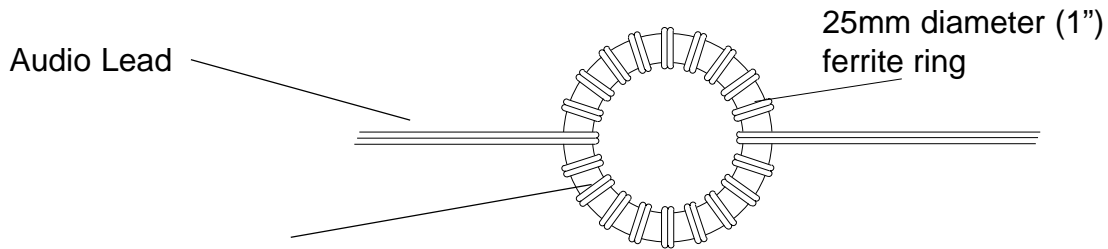
## RF Feedback

bhi

SOUND ENGINEERING SOLUTIONS

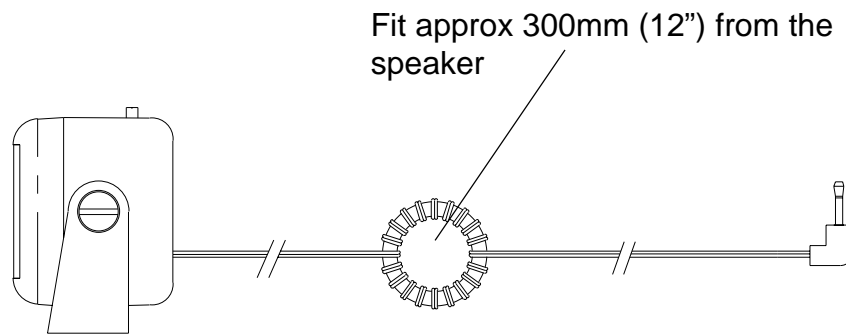
All bhi products will operate correctly under normal working conditions. However if problems with feedback are experienced during transmission then the following help sheet has been prepared to help resolve this problem.

### Step 1.



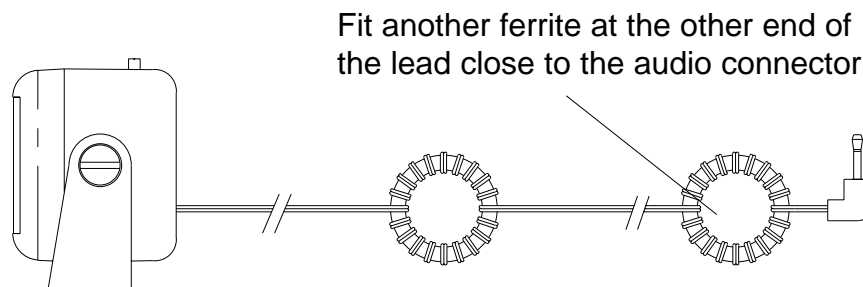
Wind as many turns as possible around the ferrite

**Figure 1.**  
Ferrite ring winding detail



Try transmitting again. If the problem persists , then move to step 2.

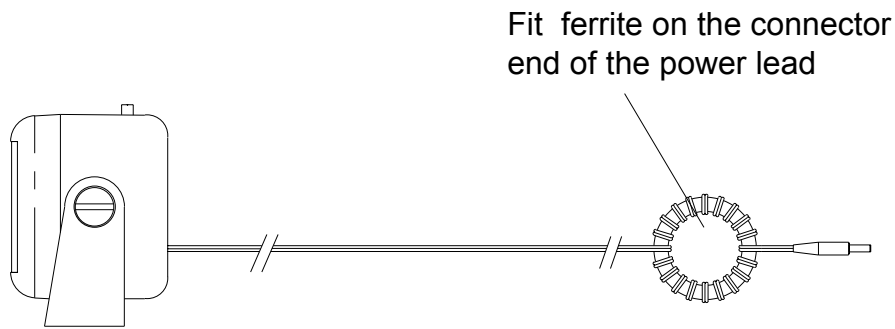
### Step 2.



**Figure 2.**  
Additional ferrite on audio lead.

Try transmitting again. If the problem persists , then move to step 3.  
If the problem is cured, try removing the first ferrite.

### Step 3.

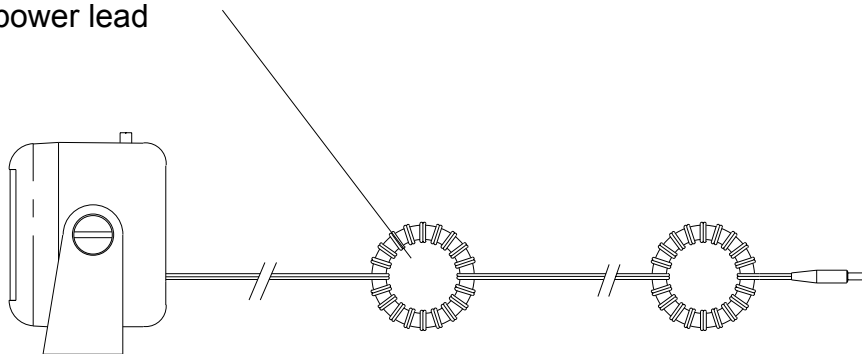


**Figure 3.**  
Power lead suppression.

Try transmitting again. If the problem persists, then move to step 4. If the problem is cured, try removing the previous ferrite(s). Shortening the power lead may also improve the situation.

### Step 4.

Fit another ferrite at the other end of the power lead



**Figure 4.**  
Additional power lead suppression.

Try transmitting again, if the problem is cured, try removing the previous ferrite(s). If the problem persists contact bhi and we will endeavour to resolve your problem.

**bhi Ltd**

PO Box 318, Burgess Hill, West Sussex, RH15 9NR

Tel: +44(0)1444 870333

email: [sales@bhinstrumentation.co.uk](mailto:sales@bhinstrumentation.co.uk). web <http://www.bhinstrumentation.co.uk>